

# The Use Case for 5G / Wireline Convergence

Barbara Stark

AT&T Standards and Industry Alliances

IEEE 5G-IoT Summit Helsinki

September 18, 2017

## What is 5G / Wireline Convergence?

Before we can understand use cases, we need to understand what we're talking about.

“5G / Wireline Convergence” means very different things to different people:

**a) Supporting fixed 5G wireless broadband access customers by using the same wireline Residential Gateways (RGs), VoIP / IPTV / etc. services, and other customer management systems.**

- This is happening today and is not specific to 5G RAN or core architecture. [The use case for this is well-established.]
- Broadband Forum (BBF) is evolving its CPE WAN Management Protocol (CWMP) to better support services related to IoT devices and allow for user control of services from any device, anywhere.

**b) Using wireline for fronthaul and backhaul of 5G traffic**

- This is happening today and is not specific to 5G RAN or core architecture. [The use case for this is well-established.]
- Management of the wireline access and core resources is becoming highly programmable (increasing flexibility, ability to meet needs in real-time, lowering cost), especially with open source projects such as ONAP (Open Network Automation Platform).

## What is 5G / Wireline Convergence? (continued)

### c) Sharing edge resources among wireless and wireline services

- This is being deployed and is not specific to 5G RAN or core architecture. [The use case for this is well-established.]
- The edge – especially the central office edge – is becoming highly programmable, with open source projects such as CORD (Central Office Re-architected as a Datacenter).

### d) Providing wireline customers access to 5G core wireless features and services via an Interworking Function (IWF).

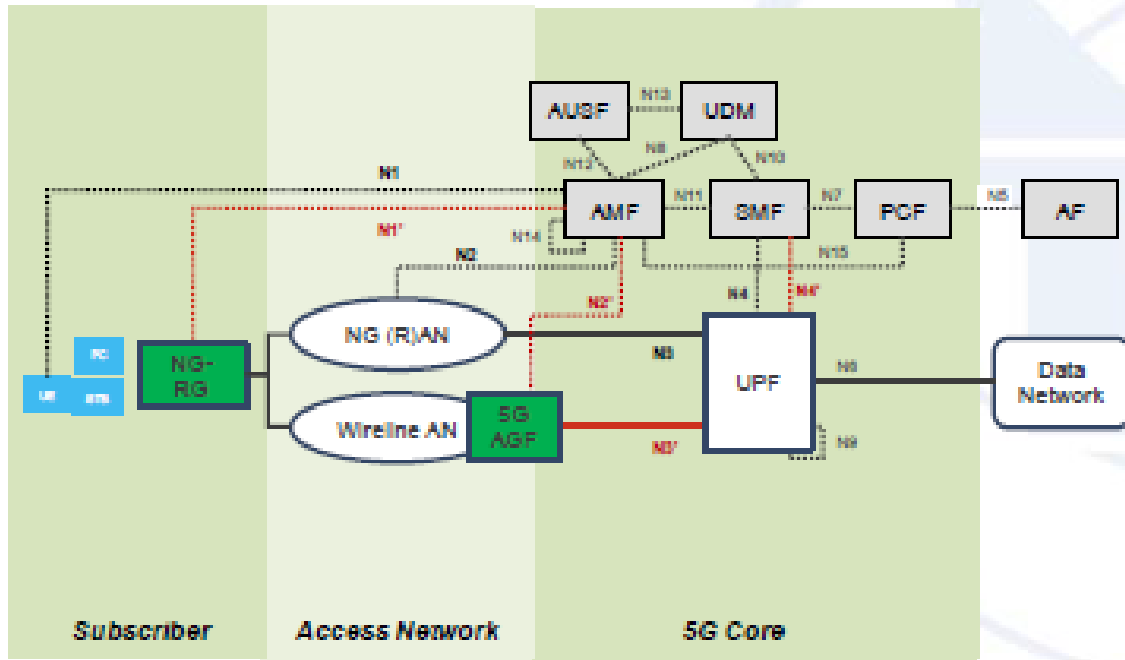
- BBF is studying how best to architect this. [The use case is not clear.]

### e) Serve all wireline customers from the 5G core (make the wireline RG a 5G UE).

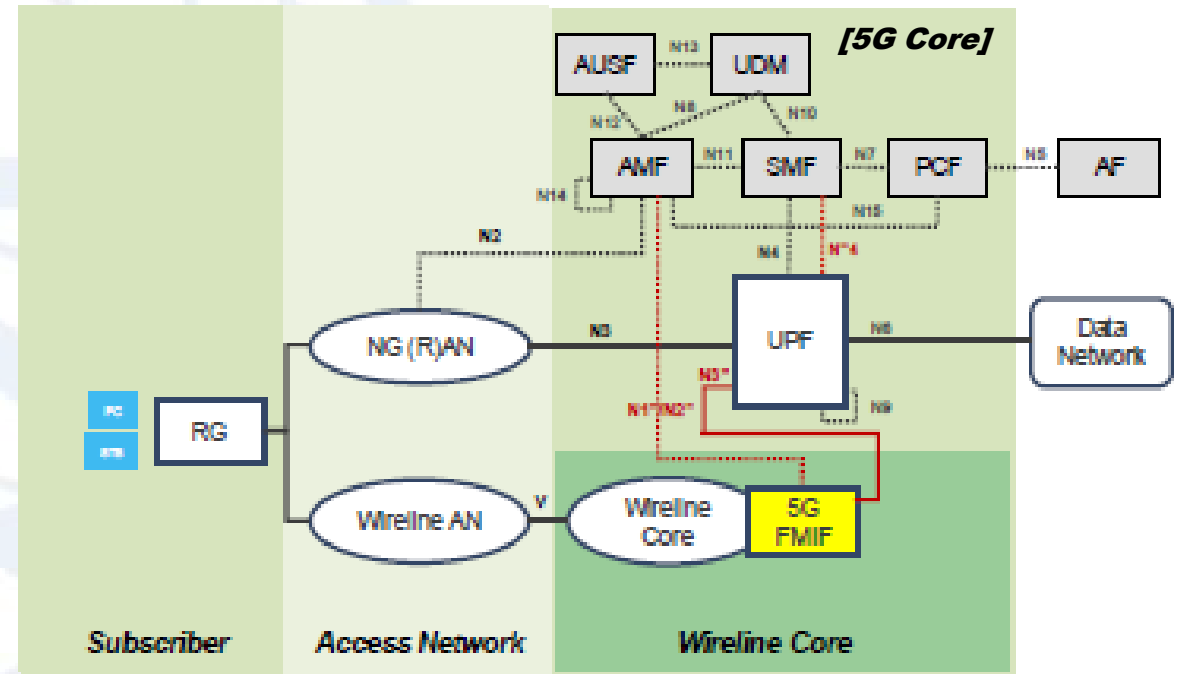
- BBF is working with 3GPP to study how best to architect this. [The use case is not clear.]

# Broadband Forum 5G Convergence Study Models\*

- Convergence

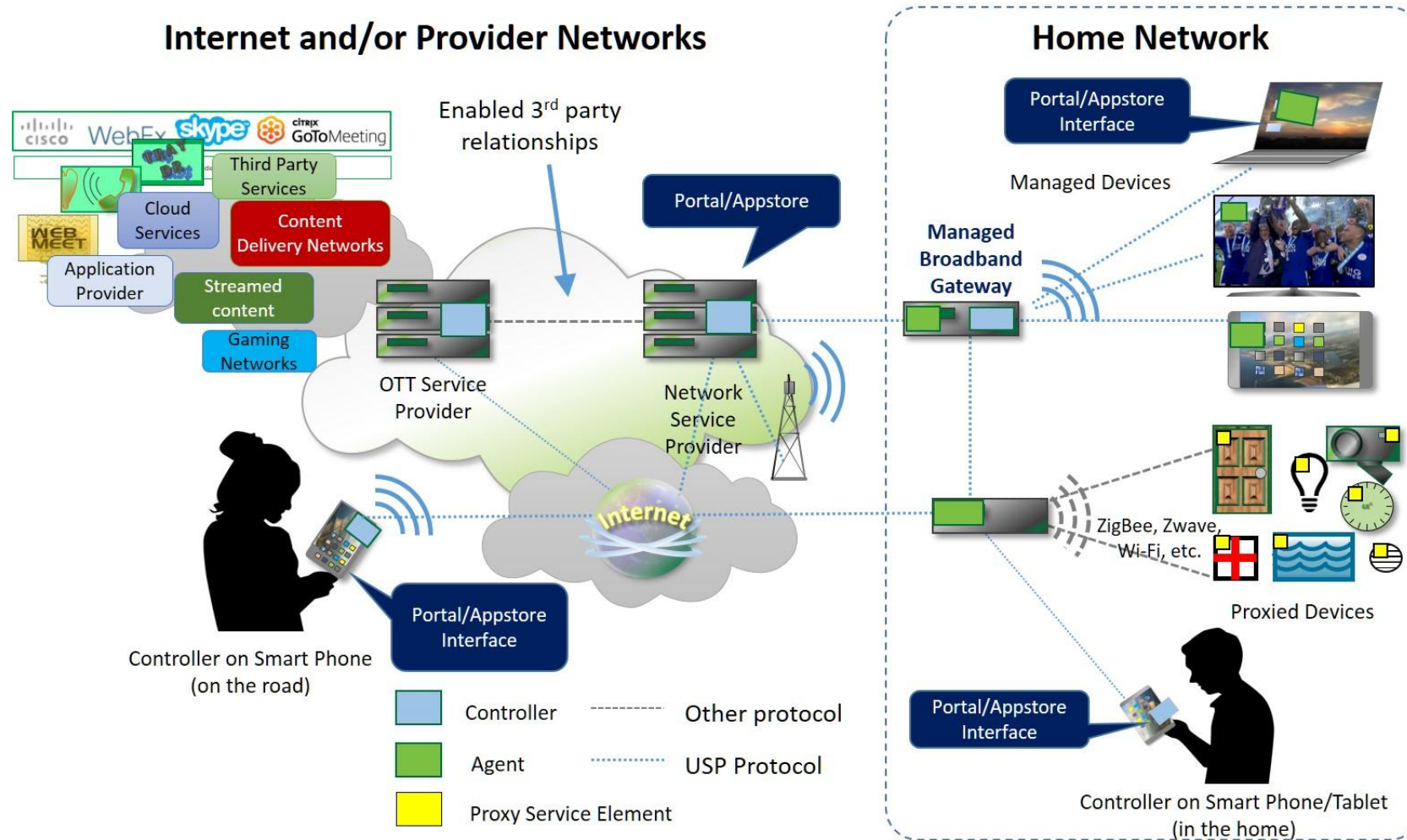


- Interworking



\* Excerpted from "5G-Convergence", Paul, M, et al, <http://www.itu.int/en/ITU-T/Workshops-and-Seminars/201707/Documents/Manuel-Paul-5G-Convergence.pdf>, July 2017

# Broadband Forum User Services Platform (USP): A New Paradigm for Managing and Controlling Devices



Broadband Forum USP Marketing Diagram

USP will allow a single protocol and data model to be used for all management and control of a device or executable.

The architectures, designs, and solutions that are adopted and deployed will be the ones that drive revenue and decrease cost the most, while giving users what they want.

**Thank You**